

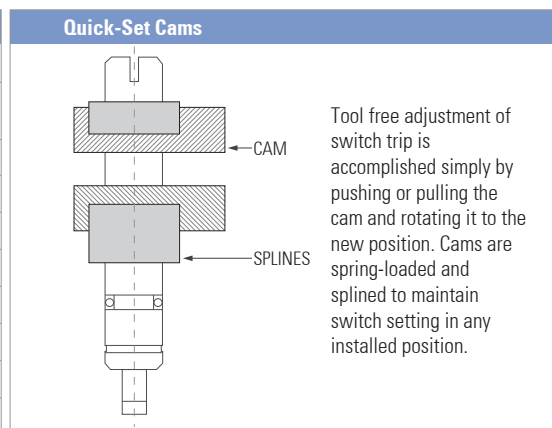
## Limit Switch *FC 300 Series*



### ► Integrated Characteristic

- Suitable for Rotary Quarter Turn Actuator.
- Extremely Vibration Resistance Design.
- Corrosion Resistance Aluminum Diecast and Powder Coated Body, Dome of Poly Carbonate with Yellow/Red On/Off Indicator.
- Honeywell / Omron / Cherry / P & F make Switches.
- Dual Cable Entries - ½" NPT for Easy Wiring.
- Dust Proof & Weather Proof IP 67 & IP 68 Enclosure.
- Captive Cover Bolts. No Worry To Loose Bolts While Cover Opens.
- *Optional Position Transmitter 4~20 mAdc.*

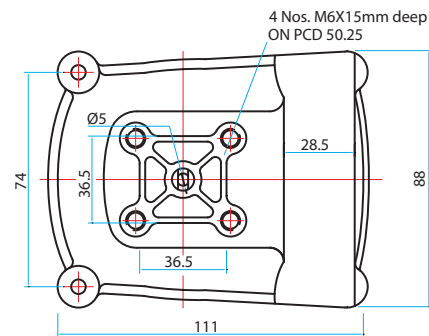
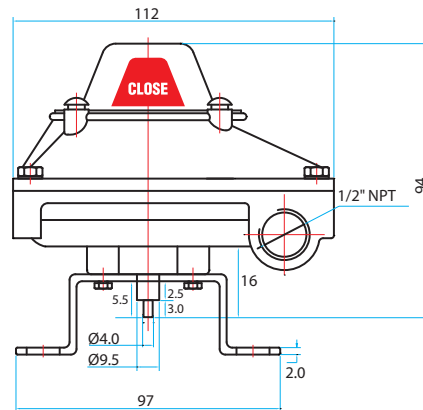
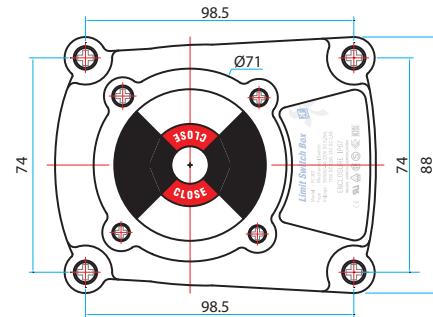
Type	Mechanical	Proximity
Switch Type	Mechanical Switch x 2	Proximity Sensor x 2
Switch Rating	250~3A AC, 125V~5A DC:250V 0.2A, 125V 0.4A, 30V 4A	12~24V DC (Operating Voltage : 10~30V DC)
Switch Certification		
Enclosure Protection	IP67	
Ambient Temperature	-20°C to +80°C	
Conduit Entry	½" NPT, ¾" NPT, M20x1.5	
Terminal Strip	6 Points	
Mounting Bracket	Namur VDI / VDE 3845, ISO 5211	
Material of Construction	Aluminum Diecasting	
Weight	890gms.(1.95lb.)	



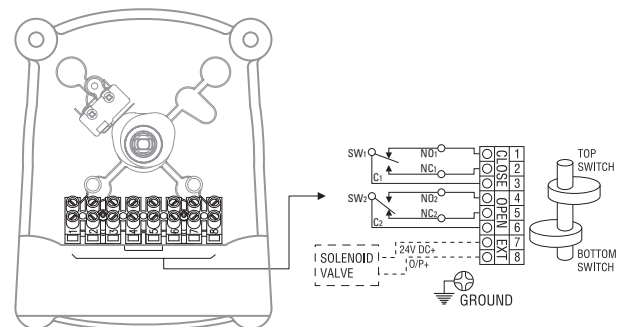
<b>Shaft</b>	N	Namur VDI/VDE 3845
	D	Double "D" Shaft
<b>Connections (Cable Entry)</b>	1	2 x 1/2" NPT (Standard)
	2	2 x 3/4" NPT
	3	2 x M20 x 1.5
<b>Indicator Option</b>	1	Flat Cover Without Indicator
	2	Dome, Red/Yellow
<b>No. of Switches</b>	0	0 Switch
	1	1 Switch 1NO + 1NC
	2	2 Switches 2NO + 2NC
	4	4 Switches 4NO + 4NC
<b>Switch Options</b>	M1	SPDT Mechanical Switch 250VAC-5A Honeywell V15S05-CZ100 A05-01
	MG	SPDT Mechanical Switch Gold Plated Cherry DB2
	M3	SPDT Mechanical Omron
	MB	DPDT Mechanical, Honeywell BZ-2AW 822551-D6
	N8	P+F NJ2 - V3 - N, 2 Wire Namur NC
	N9	P+F NBB3 - V3 - Z4, 2 Wire NO
	NR	P+F NCN4-12GM40-Z0
	NP	P+F SJ3, 5-N Slot Type Namur NC (Hazardous)
	NP1	P+F SJ3, 5-SN Slot Type Namur NC
	<b>Type Enclosure</b>	14
18		Weather Proof CMRI - IP67 and IP68 Enclosure
<b>Analog Output</b>	0	None
	T	4-20 mADc Transmitter
	D	180° 4-20 mADc Transmitter
	A	0-1k Ohm Pot
	B	0-5k Ohm Pot
	C	0-10k Ohm Pot
<b>Extra Terminals</b>	1	No
	2	(Optional)
<b>Bracket Type</b>	1	FC-1 (30x80 x H20)
	2	FC-2 (30x80 x H30)
	3	FC-3 (30x130 x H30)
	4	FC-4 (30x130 x H50)
	5	FC-5 (93.5x41.5X H30)
	6	FC-6 (150x41.5X H30)
<b>Ordering Example</b>	FC300-N-1-2-2-M1-18-T-1-1	
	<b>FC 300</b>	
	N	= Namur VDI/VDE 3845 Shaft
	1	= 2 x 1/2" NPT (Standard) Cable Entry
	2	= Dome, Red/Yellow Indicator
	2	= 2 Switches 2NO + 2NC
	M1	= SPDT Mechanical Switch 250VAC-5A Honeywell V15S05-CZ100 A05-01
	18	= Weather Proof CMRI - IP67 and IP68 Enclosure
	T	= 4-20 mADc Transmitter
	1	= No Extra Terminal
	1	= FC-1 (30x80 x H20) Bracket

### Dimension Drawing

(All Dimensions in mm)



### Wiring Diagram



**Prisma Automation**

**ZI Les Paluds – Rue de Lenche, Lot n° 4  
13400 Aubagne - FRANCE**

**Tél. : +33 (0) 4 42 72 17 40**

**Fax : +33 (0) 4 42 72 17 41**

**<http://www.prismaautomation.com>**